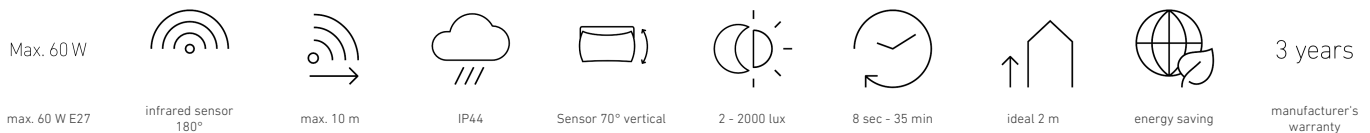


Sensor-switched outdoor light

# L 585 S

black  
EAN 4007841 005535  
Article number 005535



## Function description

Individualist all round. Outdoor SensorLight L 585 S, ideal for building fronts and entrances, 180° angle of coverage, reach up to 10 m, selectable time and twilight threshold, sensor tilts through 70° for exact adjustment of the detection zone.

## Technical specifications

|                         |   |   |                                |
|-------------------------|---|---|--------------------------------|
| Dimensions (L x W x H)  | 229 x 215 x 312 mm  | Mounting height max.                          | 3,00 m                         |
| With lamp               | No  | Slave modeselectable                          | No                             |
| Manufacturer's Warranty | 3 years   | Sneak-by guard                                | Yes                            |
| Settings via            | Potentiometers  | Capability of masking out individual segments | Yes                            |
| With remote control     | No  | Electronic scalability                        | No                             |
| Version                 | black   | Mechanical scalability                        | No                             |
| PU1, EAN                | 4007841005535   | Reach, radial                                 | r = 3 m (14 m <sup>2</sup> )   |
| Application, place      | Outdoors  | Reach, tangential                             | r = 10 m (157 m <sup>2</sup> ) |
| Application, room       | outdoors, front door, all round the building, terrace / balcony, courtyard & driveway | Photo-cell controller                         | Yes                            |
| Installation site       | wall  | Abdeckmaterial Lieferumfang                   | sticker                        |
| Impact resistance       | IK03  | Lamp  | All-purpose lamp               |
| IP-rating               | IP44  | Base  | E27                            |
| Protection class        | II  | Soft light start                              | No                             |
| Ambient temperature     | -20 – 40 °C   | Twilight setting                              | 2 – 2000 lx                    |
| Housing material        | Plastic   | Time setting                                  | 8 s – 35 Min.                  |
| Cover material          | Glass transparent   | Basic light level function                    | No                             |
|                         |   | Interconnection                               | No                             |

<https://www.steinel.de>

Subject to technical modifications

09.2023 Page 1 from 2

Sensor-switched outdoor light

# L 585 S

black  
EAN 4007841 005535  
Article number 005535

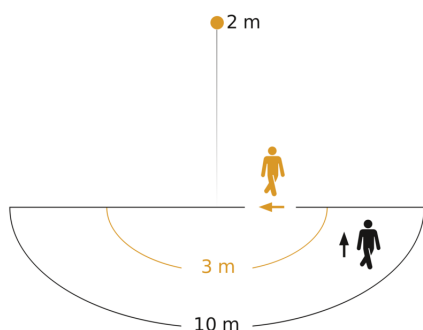


## Technical specifications

|                    |                     |
|--------------------|---------------------|
| Mains power supply | 230 – 240 V / 50 Hz |
| Output             | 60 W                |
| Power consumption  | 0,55 W              |

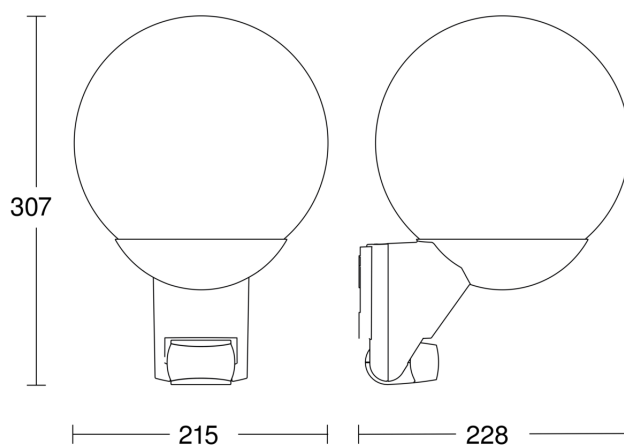
|                         |       |
|-------------------------|-------|
| Optimum mounting height | 2 m   |
| Detection angle         | 180 ° |

## Detection Zone



Possible mounting height: 1,80 m - 3,00 m  
Orange: radial  
Black: tangential

## Dimension Drawing



## Circuit diagram

